

# Product Data Sheet

## GRASS BLOCK



TILECO, INC. ■ 91-209 Hanua Street ■ Kapolei, Hawaii 96707 ■ Ph: 808.682.5737 ■ Fax: 808.682.1013

### ■ DESCRIPTION

Grass Block concrete pavers provide an environmentally-friendly, mud-free, dust-free alternative to vehicular parking surfaces such as asphalt and poured concrete. Grass Blocks are designed with two open cells, which means that more than half of the paved area can be filled with grass, facilitating run-off water drainage, increasing oxygen production and reducing city temperatures. Cells can also be filled with gravel or cinders.

Common uses include parking lots, driveways and access routes for emergency vehicles, golf cart pathways, highway crossovers and drainage ditches. Grass Blocks are also used to control erosion along shorelines, stream banks and embankments.

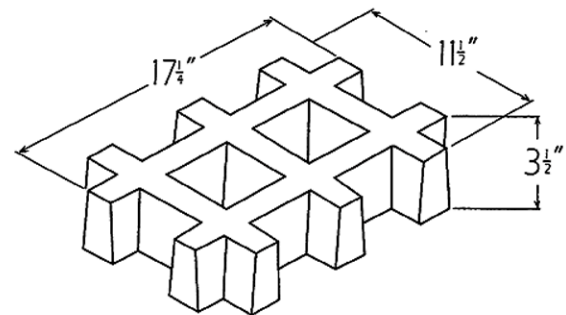
Fill openings with screened soil and fertilizer. Mix poor soil with 10-30-10 fertilizer and lightly compact or water settle. More soil may be added to bring the final level to ½" below the top. Openings may be plugged, sprigged or seeded. Hardy grasses, such as Bermuda or Emerald Zoysia are recommended. Regular watering and protection from traffic is critical for the first months until the root systems have spread.

### ■ INSTALLATION

**PREPARATION:** For light-weight vehicular and pedestrian traffic, the sub-base material may consist of the existing firm subgrade. For heavy vehicular traffic, use a 6" sub-base of compacted ¾" to 1-1/2" rock. Spread and level over the sub-grade approximately 1-1/2" layer of damp concrete sand (1 cubic yard of sand covers 150 square feet; compacted depth is approximately 1").

**APPLICATION:** Place Grass Block units by hand, being careful not to disturb the leveled sand layer. Proceed outward from the previously laid units with a minimum of 1/16" joint spacing to avoid chipping and spall upon repetitive loading. Grass Block should be set with the largest sized opening on top, with units butted together without mortar. Restrict edge movement with tamped earth, PVC plastic edging, timber edging, steel, concrete or curb.

If openings will be filled with crushed rock or cinder, vibrate units before filling using a plate vibrator. Use a rubber mat attachment or plywood laid across Grass Block units to prevent chipping. If all units are not in place by the end of the day, cover exposed sand with plastic sheeting, as rainfall may settle into the sand and make it difficult to vibrate the units into place.



### ■ SPECIFICATIONS

**COLOR:** Natural Gray  
**SIZE:** 11-1/2" x 17-1/4" x 3-1/2"  
**OPENINGS:** Two 4-1/2" x 4-1/2" cells  
**COVERAGE:** 72 pavers per 100 sq. ft.  
**WEIGHT:** 31 lbs.

Meets ASTM C1319 specifications.

### ■ LIMITATIONS

Grass will not grow well in continuously used parking areas because of lack of sunlight and oil drippings; instead, use gravel to fill the openings. Do not plant grass on driveway slopes greater than 5% because of traction difficulties.

This Product Data Sheet has been prepared in good faith on the basis of information available at the time of publication. It is intended to provide users with information about the guidelines for the proper use and application of the covered product(s) under normal environmental and working conditions. Because each project is different, Tileco, Inc. cannot be responsible for the consequences of variations in such conditions, or for unforeseen conditions. For more information on handling this product, please refer to the Safety Data Sheet (SDS).