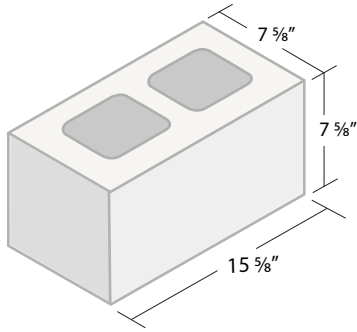
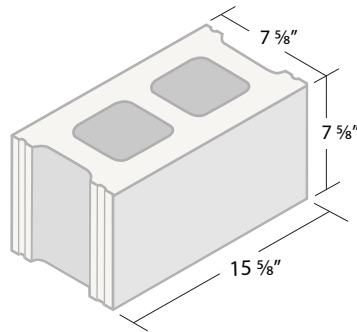


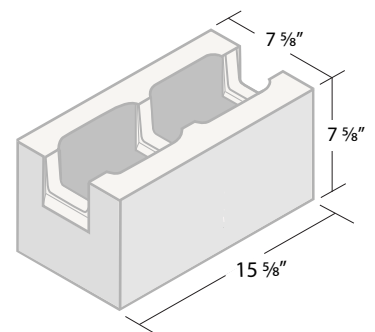
STANDARD UNITS: 8" Concrete Masonry Units



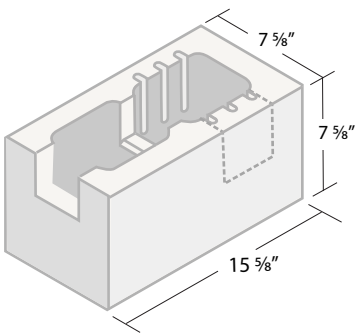
8 x 8 x 16 Double Solid End
ITEM #088D



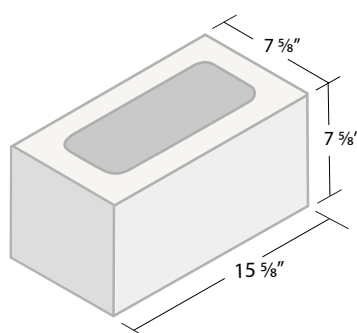
8 x 8 x 16 Runner
ITEM #088M



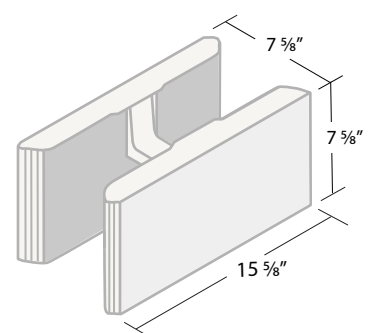
8 x 8 x 16 Bond Beam
ITEM #088K



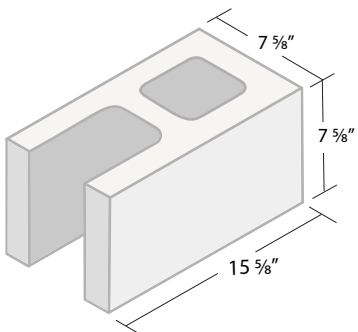
8 x 8 x 16 Corner Knock-Out
ITEM #088CKO



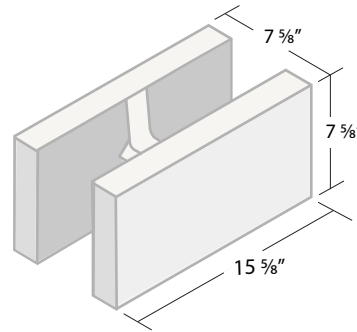
8 x 8 x 16 Webless
ITEM #088W



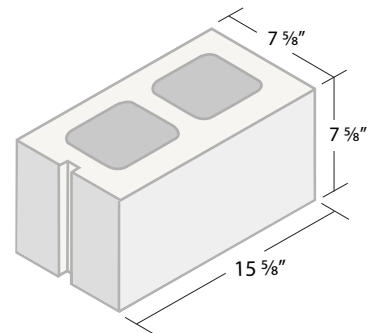
8 x 8 x 16 Grout Lock
ITEM #088GL



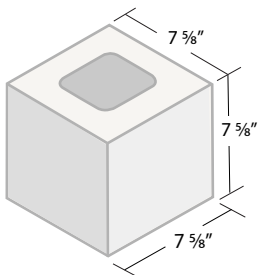
8 x 8 x 16 Plumber
ITEM #088P



8 x 8 x 16 Double Open End
ITEM #088DOE

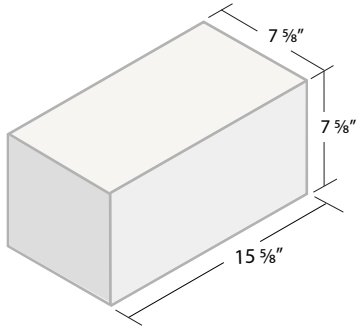


8 x 8 x 16 Jamb
ITEM #088J

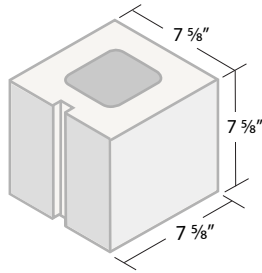


8 x 8 x 8 Half
ITEM #088H

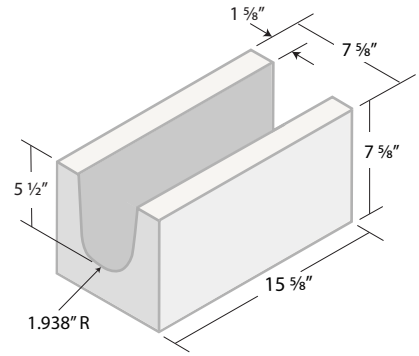
STANDARD UNITS: 8" Concrete Masonry Units



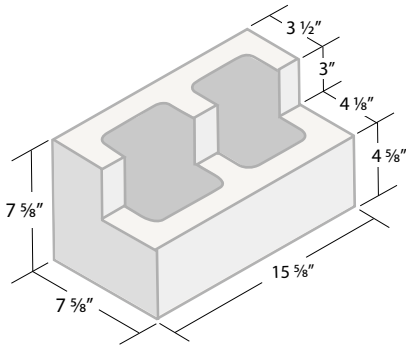
8 x 8 x 16 Ballast**
ITEM #088BL



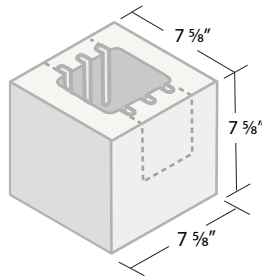
8 x 8 x 8 Jamb Half
ITEM #088JH



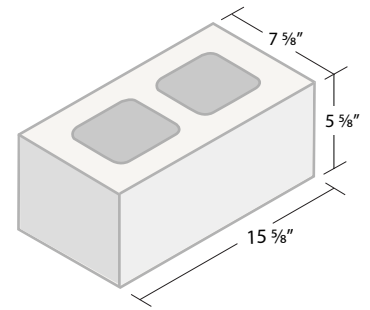
8 x 8 x 16 Lintel*
ITEM #088LT



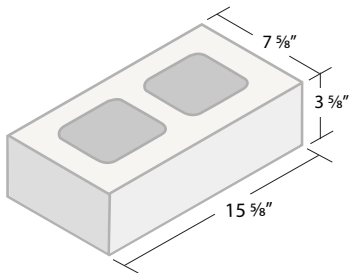
8 x 8 x 16 Header
ITEM #088HD



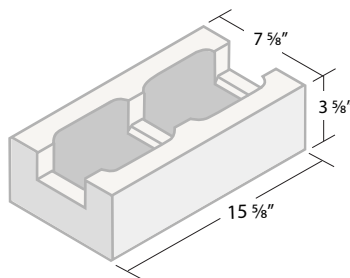
8 x 8 x 8 Knock Out Half
ITEM #088KOH



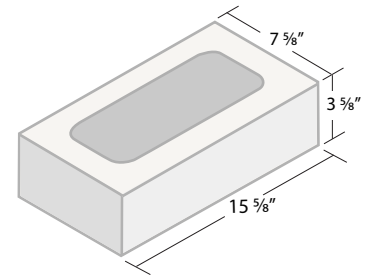
8 x 6 x 16 DSE
ITEM #086D



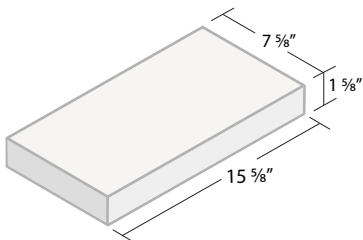
8 x 4 x 16 DSE
ITEM #084D



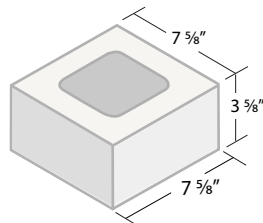
8 x 4 x 16 Bond Beam
ITEM #084K



8 x 4 x 16 Webless
ITEM #084W



8 x 2 x 16 Cap
ITEM #082



8 x 4 x 8 Half
ITEM #084H