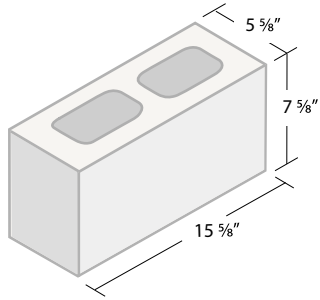
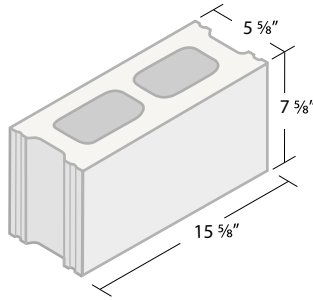


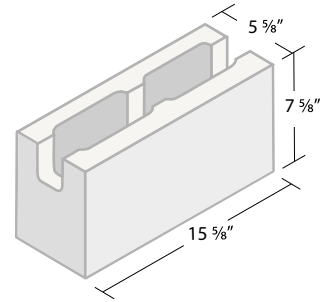
**STANDARD UNITS: 6" Concrete Masonry Units**



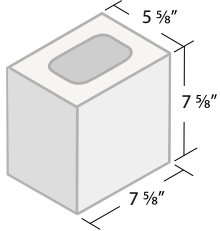
**6 x 8 x 16  
Double Solid End**  
ITEM #068D



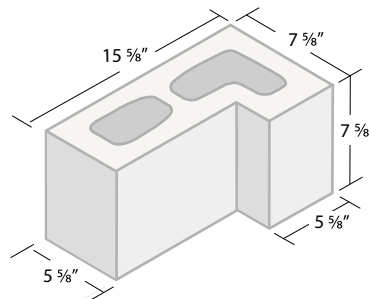
**6 x 8 x 16 Runner**  
ITEM #068M



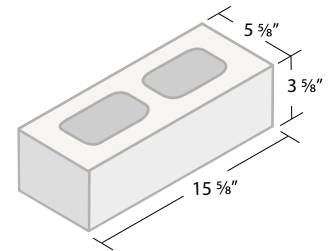
**6 x 8 x 16 Bond Beam**  
ITEM #068K



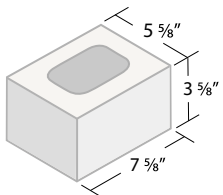
**6 x 8 x 8 Half**  
ITEM #068H



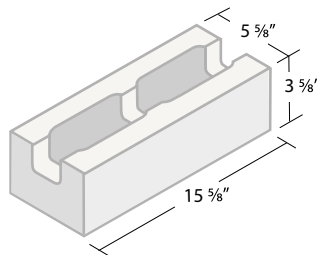
**6 x 8 x 16 L-Return**  
ITEM #068L



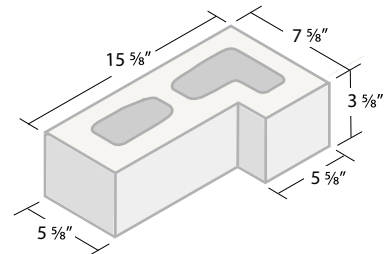
**6 x 4 x 16  
Double Solid End**  
ITEM #064D



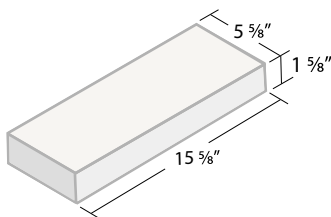
**6 x 4 x 8 Half**  
ITEM #064H



**6 x 4 x 16 Bond Beam\***  
ITEM #064K



**6 x 4 x 16 L-Return**  
ITEM #064L



**6 x 2 x 16 Cap**  
ITEM #062

\*May require lead time. Call for availability.