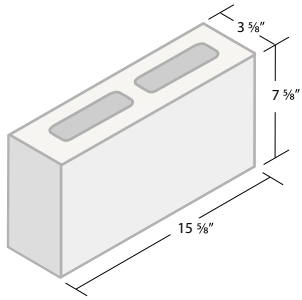
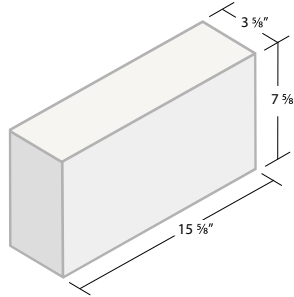


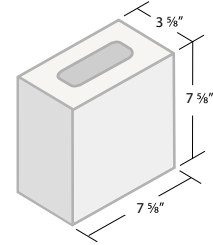
STANDARD UNITS: 4" Standard Concrete Masonry Units



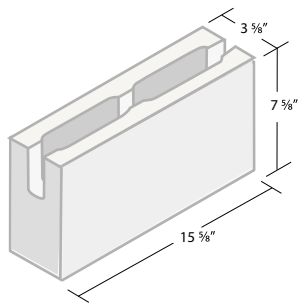
4 x 8 x 16 Partition
ITEM #048P



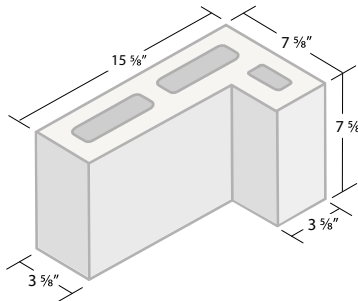
4 x 8 x 16 Partition Solid**
ITEM #048BA



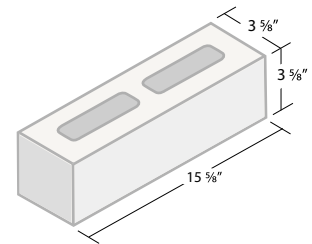
4 x 8 x 8 Half
ITEM #048H



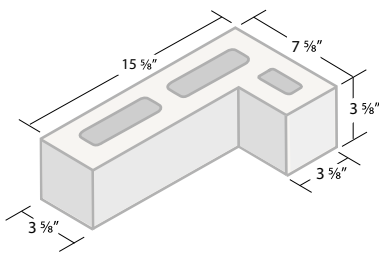
4 x 8 x 16 Bond Beam
ITEM #048K



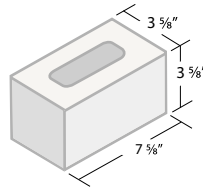
4 x 8 x 16 L-Return
ITEM #048L



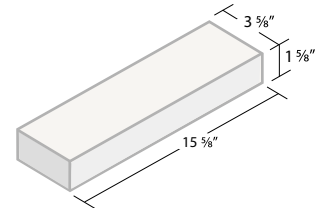
4 x 4 x 16 DSE
ITEM #044D



4 x 4 x 16 L-Return
ITEM #044L



4 x 4 x 8 Half
ITEM #044H



4 x 2 x 16 Cap
ITEM #042

** Special order. Lead time and additional charges may apply.