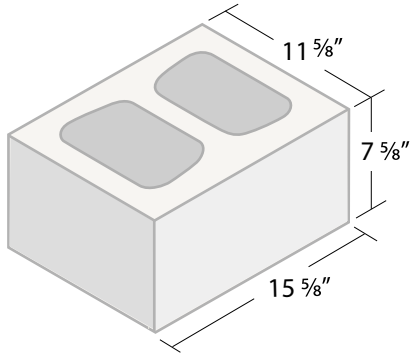
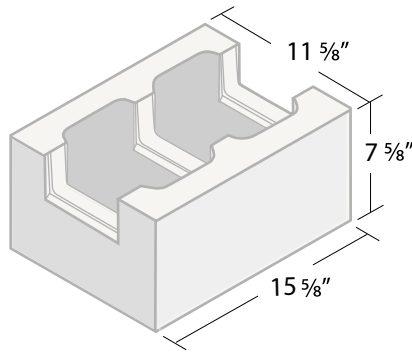


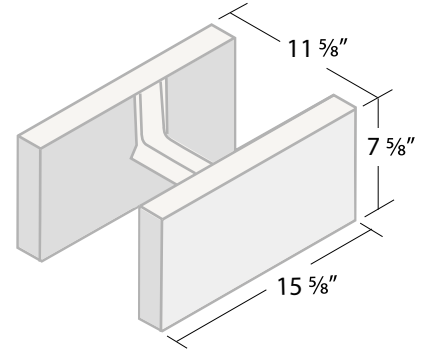
STANDARD UNITS: 12" Concrete Masonry Units



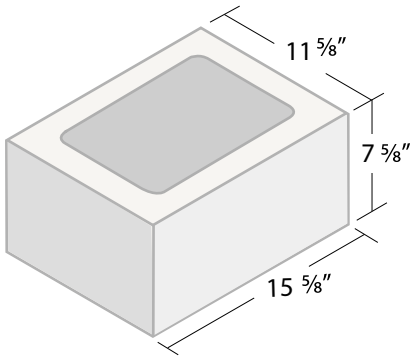
12 x 8 x 16 Double Solid End
ITEM #128D



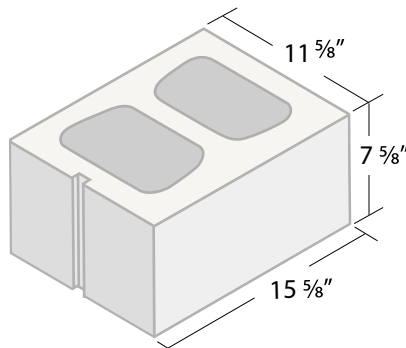
12 x 8 x 16 Bond Beam
ITEM #128K



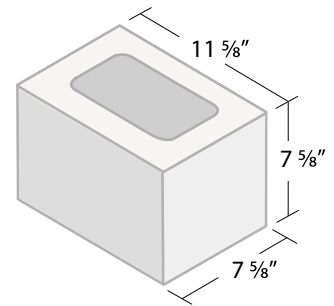
12 x 8 x 16 Double Open End
ITEM #128DOE



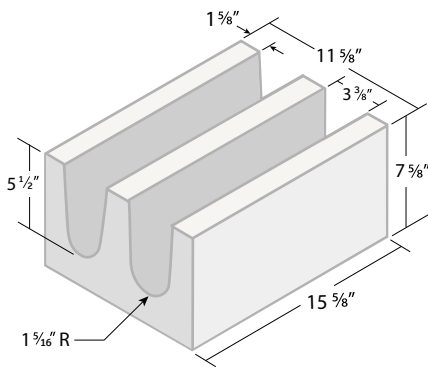
12 x 8 x 16 Webless
ITEM #128W



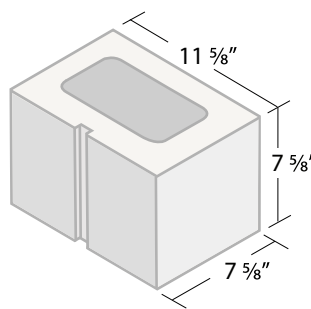
12 x 8 x 16 Jamb*
ITEM #128J



12 x 8 x 8 Half
ITEM #128H

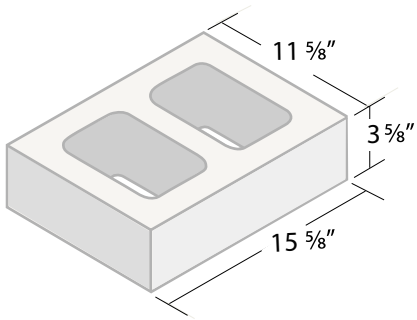


12 x 8 x 16 Lintel**
ITEM #128LT

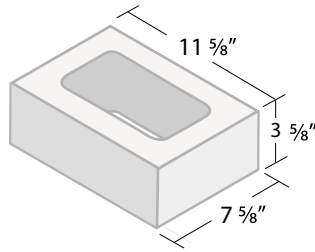


12 x 8 x 8 Jamb Half*
ITEM #128JH

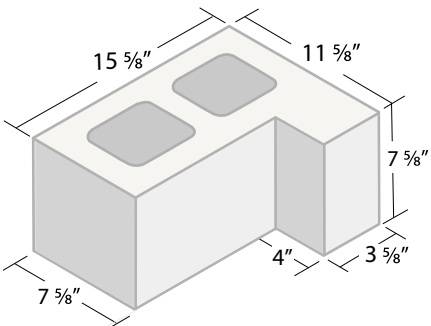
STANDARD UNITS: 12" Concrete Masonry Units



12 x 4 x 16 Double Solid End*
ITEM #124D



12 x 4 x 8 Half*
ITEM #124H



12 x 8 x 16 L-Return
ITEM #128L

