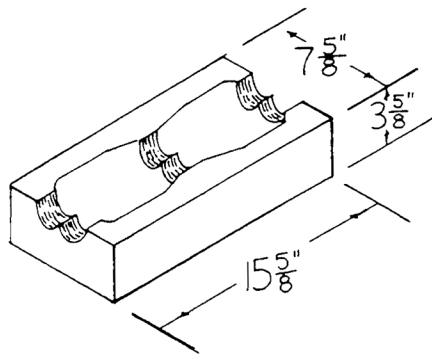
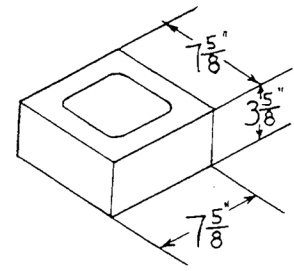


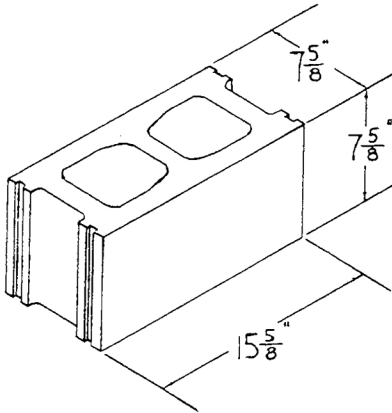
8x4x16  
**DOUBLE SOLID END**



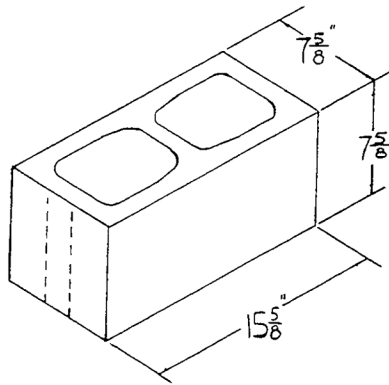
8x4x16  
**LINTEL/BOND BEAM**



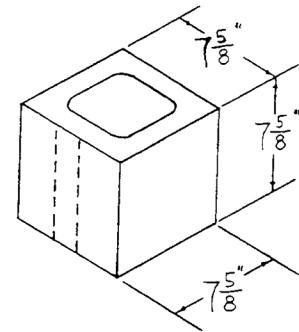
8x4x8  
**HALF BLOCK**



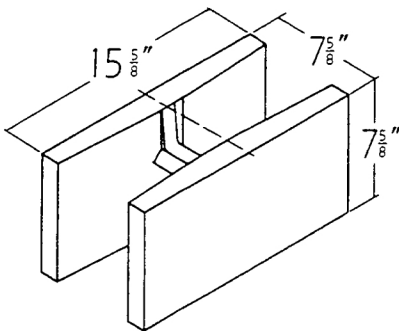
8x8x16  
**STANDARD**



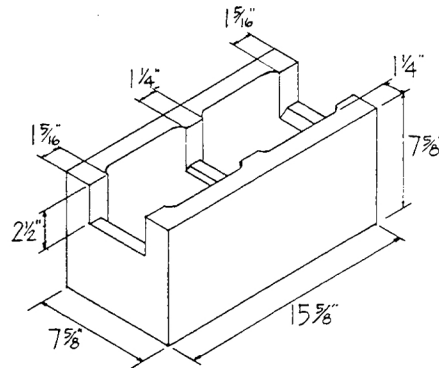
8x8x16  
**DOUBLE SOLID END**  
(ALSO AVAILABLE IN SASH BLOCK)



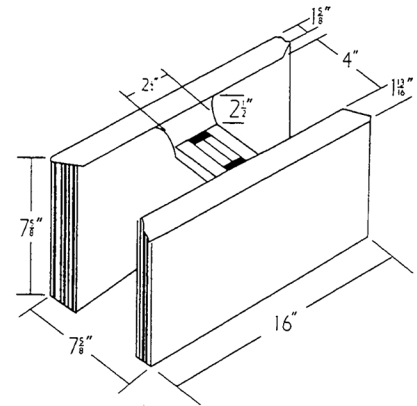
8x8x8  
**HALF BLOCK**  
(ALSO AVAILABLE IN SASH BLOCK)



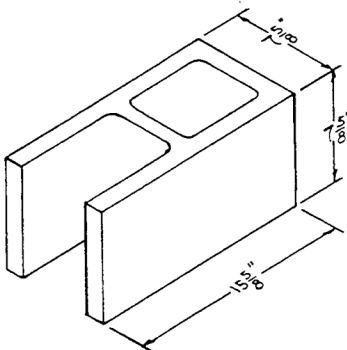
8x8x16  
**DOUBLE OPEN END  
BOND BEAM**



8x8x16  
**BOND BEAM**  
(ALSO AVAILABLE IN SOLID BOTTOM)



**GROUT LOCK BLOCK**



8x8x16  
**PLUMBERS BLOCK**