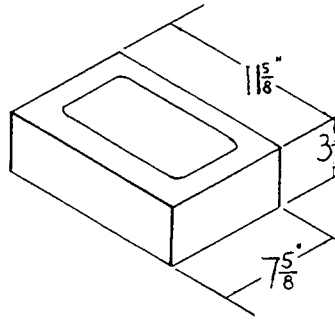
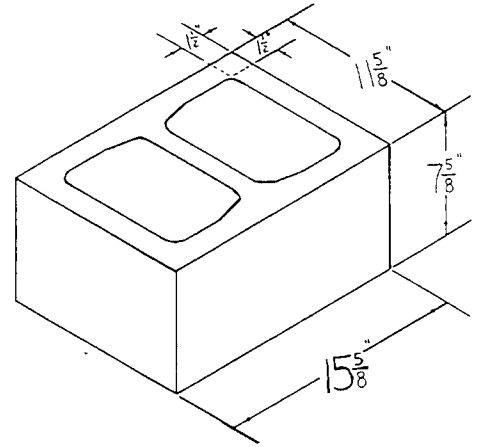


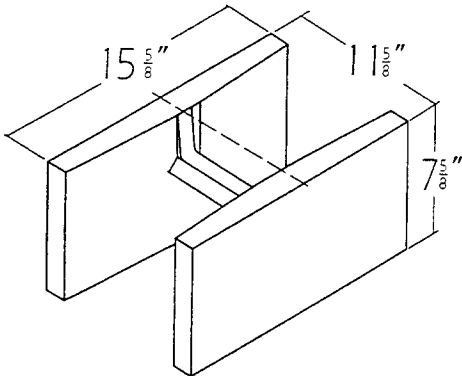
12x4x16
DOUBLE SOLID END



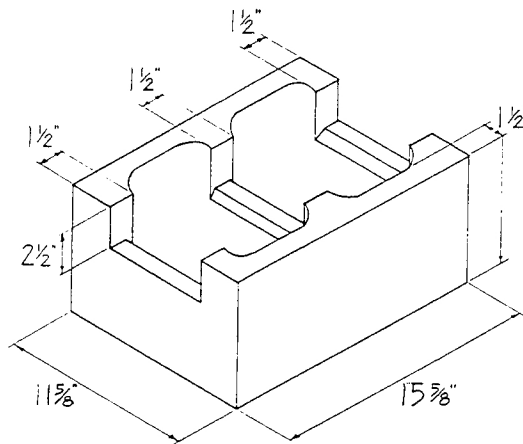
12x4x8
HALF BLOCK



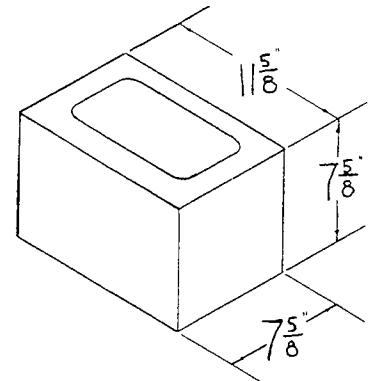
12x8x16
DOUBLE SOLID END



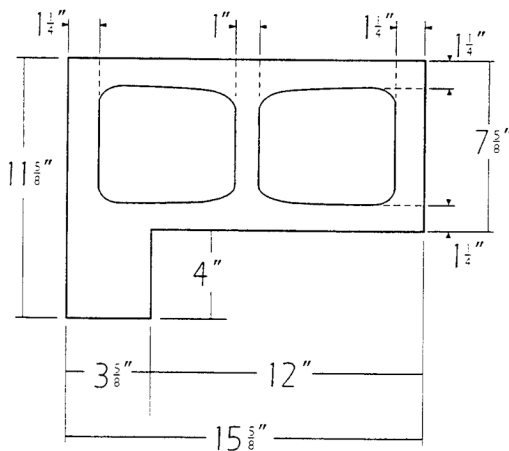
12x8x16
**DOUBLE OPEN END
BOND BEAM**



12x8x16
BOND BEAM



12x8x8
HALF BLOCK



12x8x16
RETURN CORNER

