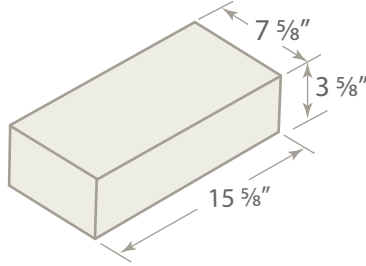


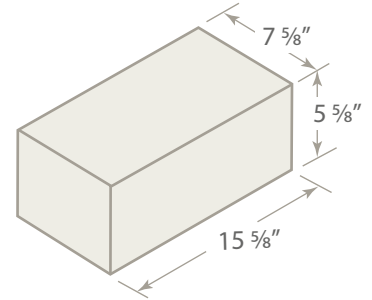
2x8x16 Ballast

Weight: 14 lbs.
Units/Pallet: 288



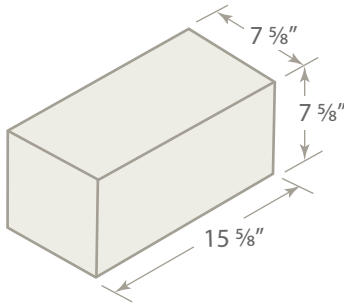
4x8x16 Ballast

Weight: 32 lbs.
Units/Pallet: 108



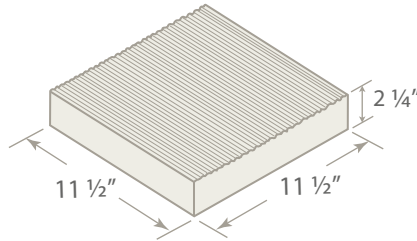
6x8x16 Ballast

Weight: 48.5 lbs.
Units/Pallet: 72



8x8x16 Ballast

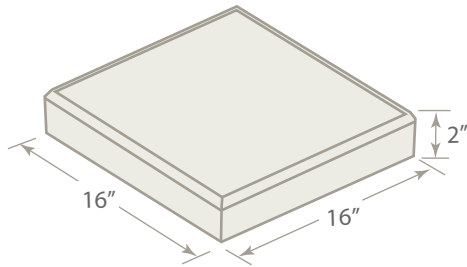
Weight: 65 lbs.
Units/Pallet: 54



11-1/2" Square Ballast

with textured finish

Weight: 26 lbs.
Units/Pallet: 96



16" Square Ballast

Weight: 38 lbs.
Units/Pallet: 72



91-209 HANUA STREET | KAPOLEI, HAWAII 96707
p: 808.682.5737 | f: 808.682.1013
e: info@tilecoinc.com | w: tilecoinc.com

**SOLAR BALLAST
CONCRETE UNITS**