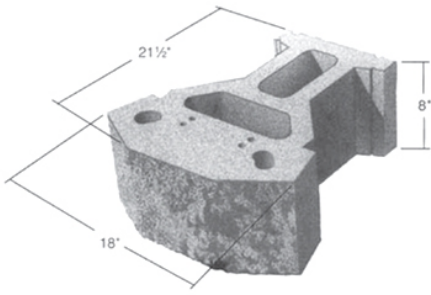
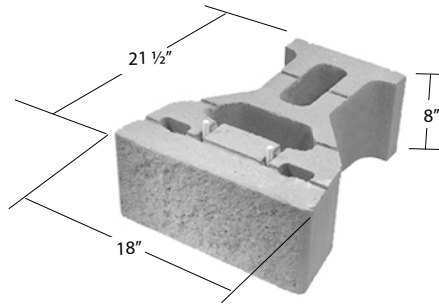


SEGMENTAL RETAINING WALL UNITS



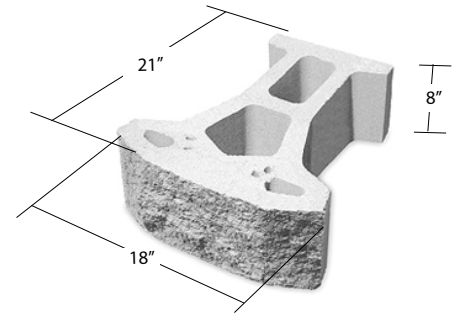
STANDARD SERIES I

Tri-plane Split Face
Available in Basalt or Limestone



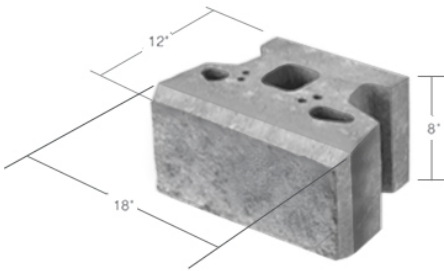
STANDARD SERIES I

Straight Split Face
Available in Basalt or Limestone



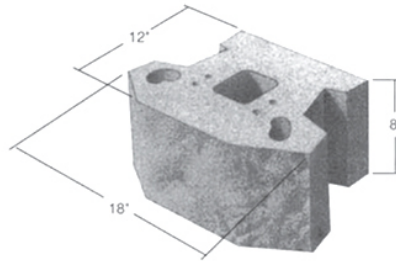
STANDARD SERIES III

Tri-plane KeyCut Face
Available in Limestone, Dark Gray, Rose or Tan



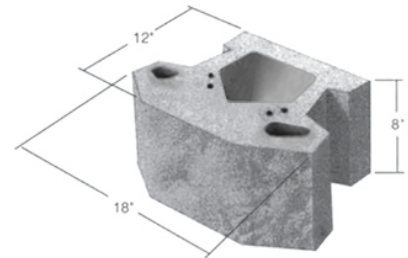
VICTORIAN

Straight Split Face with beveled edge
Available in Basalt or Limestone



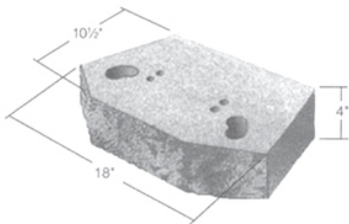
COMPAC SERIES I

Tri-plane Split Face
Available in Basalt or Limestone



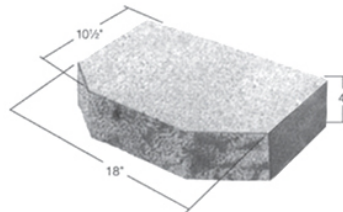
COMPAC SERIES III

Tri-plane KeyCut Face
Available in Limestone, Dark Gray, Rose or Tan



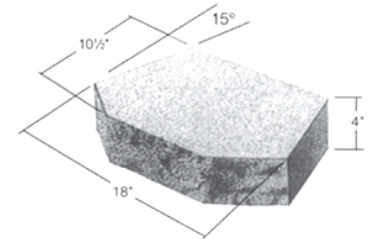
MINI

Available in Basalt or Limestone



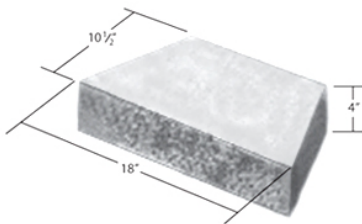
STRAIGHT CAP

Available in Basalt or Limestone



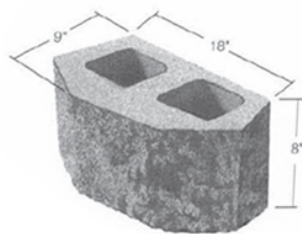
ANGLE CAP

Available in Basalt or Limestone



UNIVERSAL CAP

Available in Basalt, Limestone,
Dark Gray, Rose or Tan



CORNER

Available in Basalt or Limestone



Limestone



Limestone KeyCut



Basalt



Tan



Dark Gray



Rose