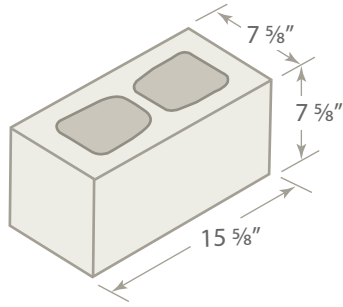
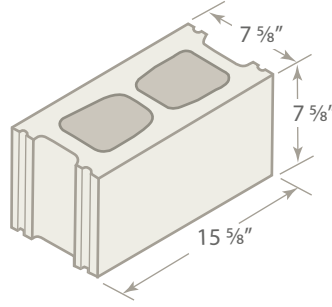


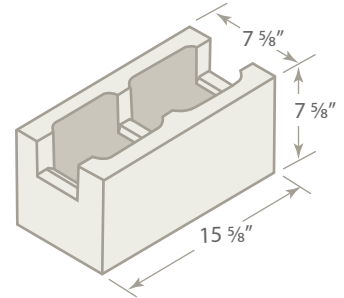
# STANDARD UNITS: 8" Concrete Masonry Units



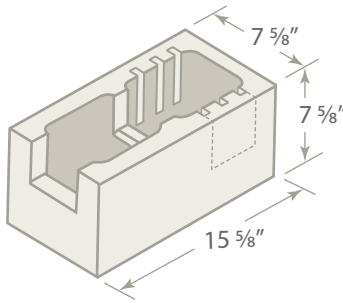
**8x8x16 DOUBLE SOLID END**



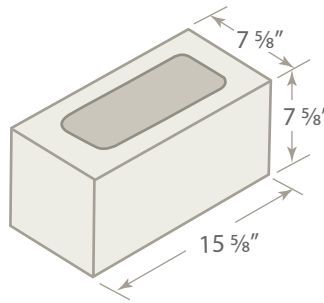
**8x8x16 RUNNER**



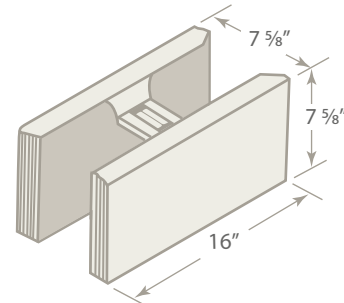
**8x8x16 BOND BEAM**



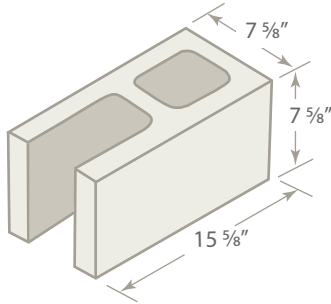
**8x8x16 CORNER KNOCK OUT**



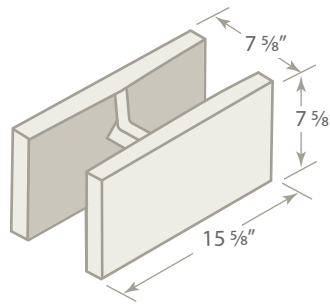
**8x8x16 WEBLESS**



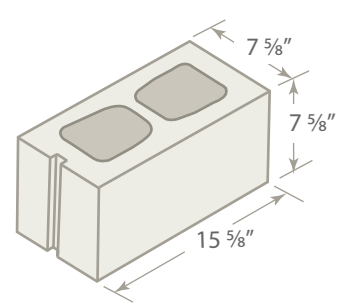
**8x8x16 GROUT LOCK**



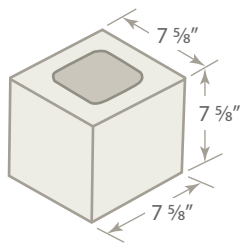
**8x8x16 PLUMBER**



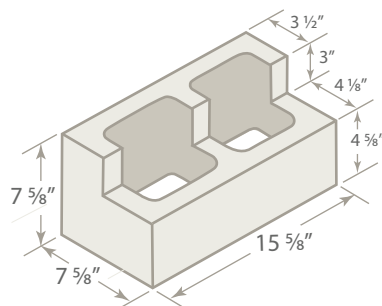
**8x8x16 DOUBLE OPEN END**



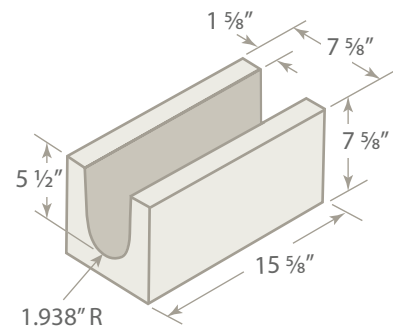
**8x8x16 JAMB**



**8x8x8  
HALF**

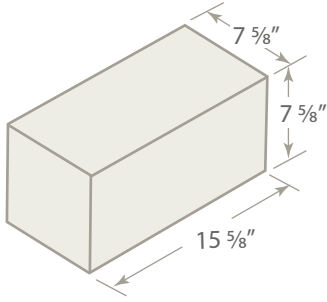


**8x8x16 HEADER**

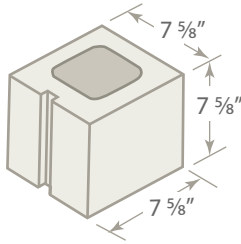


**8x8x16 LINTEL**

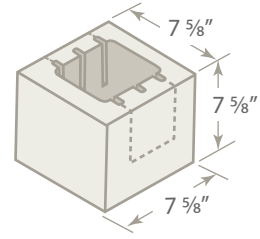
# STANDARD UNITS: 8" Concrete Masonry Units



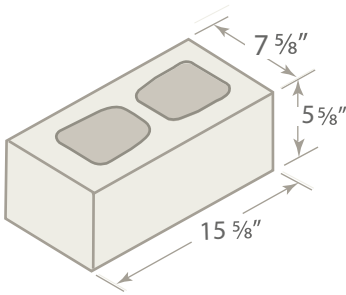
**8x8x16 SOLID  
(BALLAST)**



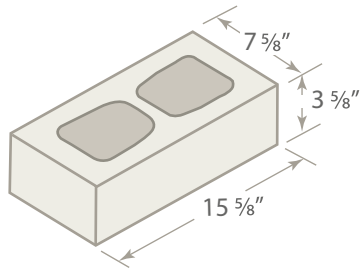
**8x8x8  
JAMB HALF**



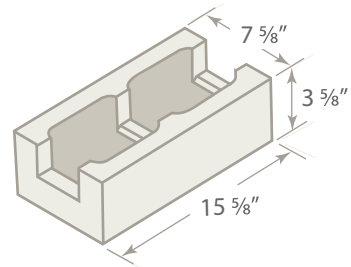
**8x8x8 CORNER  
KNOCK OUT HALF**



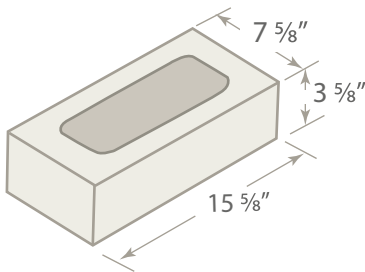
**8x6x16 DOUBLE SOLID END**



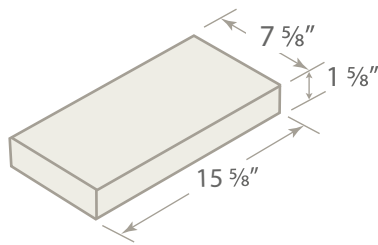
**8x4x16 DOUBLE SOLID END**



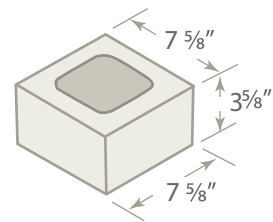
**8x4x16 BOND BEAM**



**8x4x16 WEBLESS**

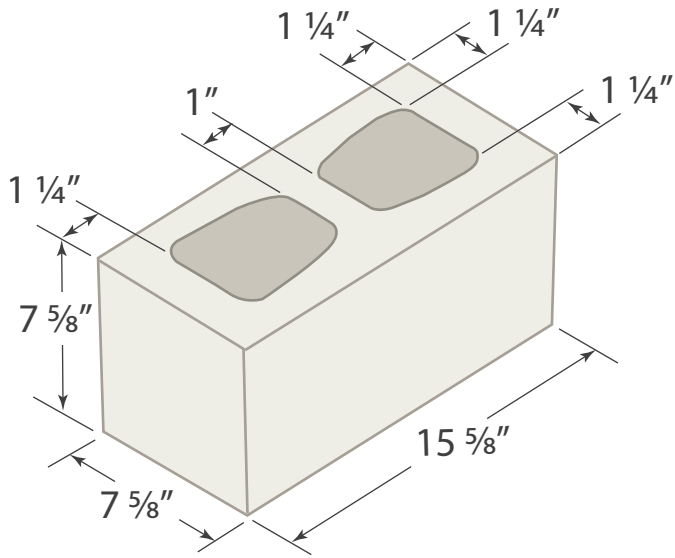


**8x2x16 CAP**

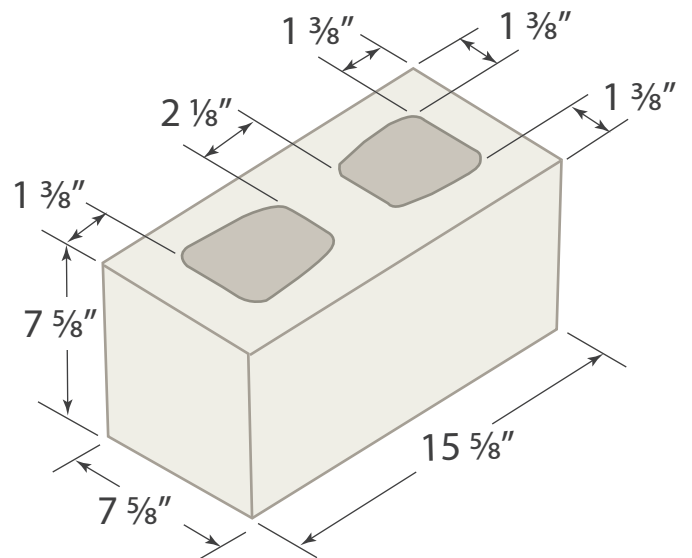


**8x4x8 HALF**

### 8x8x16 DOUBLE SOLID END

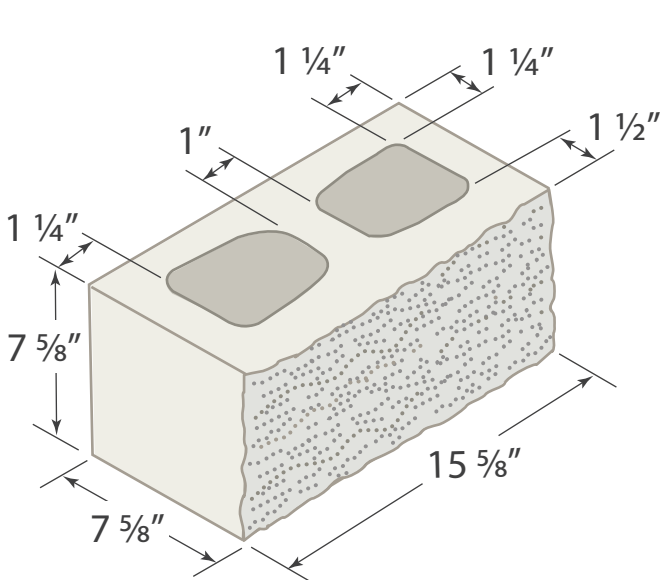


TOP VIEW

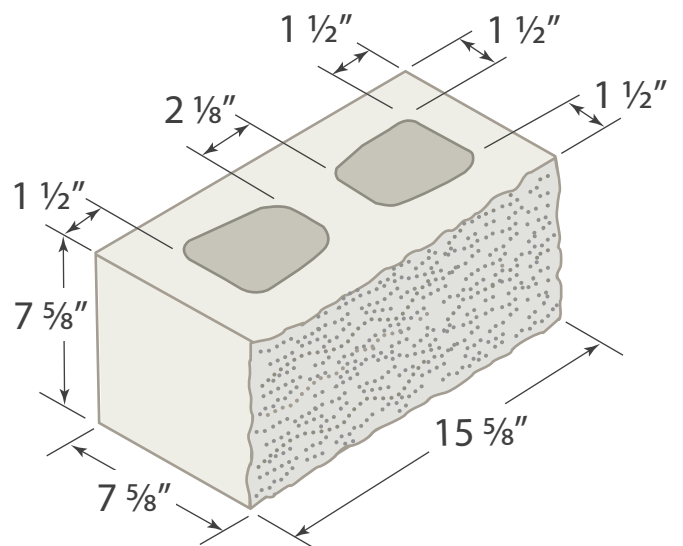


BOTTOM VIEW

### 8x8x16 SPLIT 1 FACE



TOP VIEW



BOTTOM VIEW