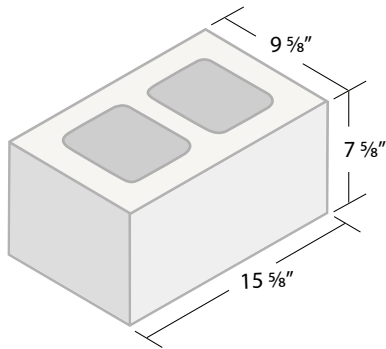
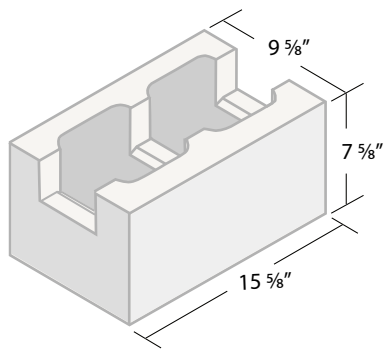


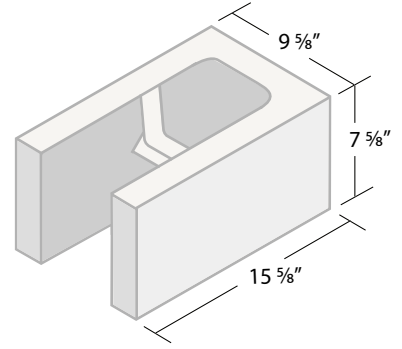
STANDARD UNITS: 10" Standard Concrete Masonry Units



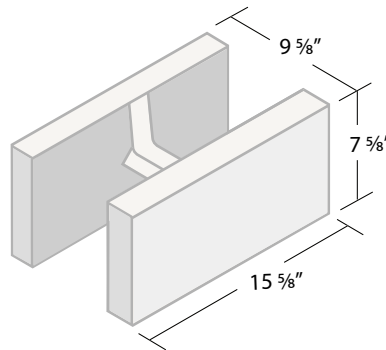
10 x 8 x 16 Double Solid End
ITEM #108D



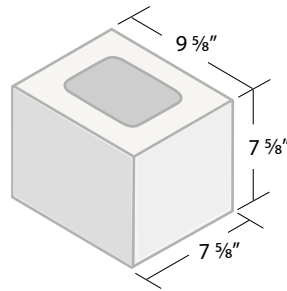
10 x 8 x 16 Bond Beam
ITEM #108K



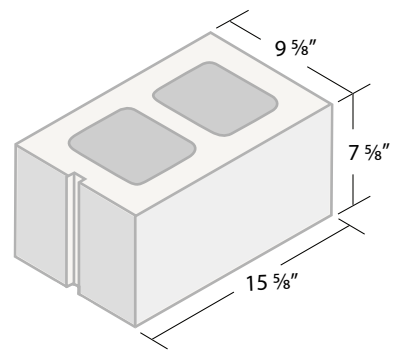
10 x 8 x 16 Single Open End*
ITEM #108SOE



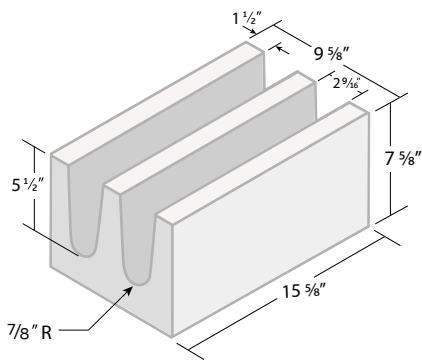
10 x 8 x 16 Double Open End*
ITEM #108DOE



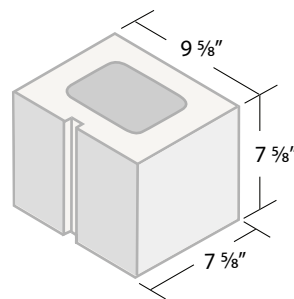
10 x 8 x 8 Half
ITEM #108H



10 x 8 x 16 Jamb*
ITEM #108J



10 x 8 x 16 Lintel**
ITEM #108LT



10 x 8 x 8 Jamb Half*
ITEM #108HJ